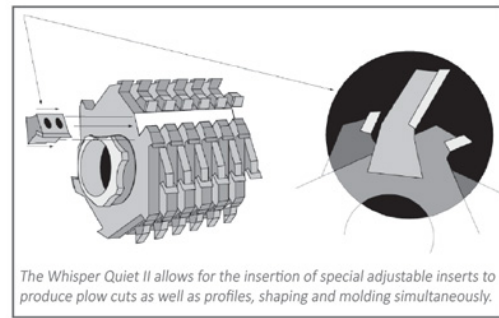


Whisper Quiet II Moulder Heads

Six Wings

The Whisper Quiet II has 4 dovetail slots milled into the head to receive the insert cutters. The equivalent to a six (6) knife head, it has 12 rows of staggered teeth. Please specify the hook angle when ordering. Standard hook angle is either 20° (soft wood) or 10° (hard wood).

Note: Sizes listed are only representative of our product line. Additional sizes available upon special quotation only.



The Whisper Quiet II allows for the insertion of special adjustable inserts to produce plow cuts as well as profiles, shaping and molding simultaneously.

Head Diameter	Teeth	Cutting Width Per Tooth	Cutting Width
5-1/2"	72	.330"	4"
5-1/2"	108	.330"	6"
5-1/2"	144	.330"	8"
5-1/2"	180	.330"	10"
5-1/2"	216	.330"	12"
6"	72	.330"	4"
6"	108	.330"	6"
6"	144	.330"	8"
6"	180	.330"	10"
6"	216	.330"	12"
6-1/2"	72	.330"	4"
6-1/2"	108	.330"	6"
6-1/2"	144	.330"	8"
6-1/2"	180	.330"	10"
6-1/2"	216	.330"	12"
8"	72	.330"	4"
8"	108	.330"	6"
8"	144	.330"	8"
8"	180	.330"	10"
8"	216	.330"	12"