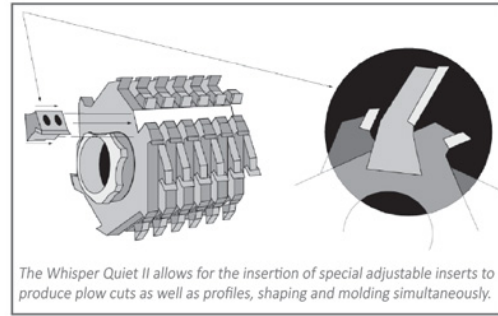


Whisper Quiet II Moulder Heads

Four Wings

The Whisper Quiet II has 4 dovetail slots milled into the head to receive the insert cutters. The equivalent to a four (4) knife head, it has 12 rows of staggered teeth. Please specify the hook angle when ordering. Standard hook angle is either 20° (soft wood) or 10° (hard wood).

Note: Sizes listed are only representative of our product line. Additional sizes available upon special quotation only.



Head Diameter	Teeth	Cutting Width Per Tooth	Cutting Width
5"	32	.500"	4"
5"	48	.500"	6"
5"	64	.500"	8"
5"	80	.500"	10"
5"	96	.500"	12"
5-1/2"	32	.500"	4"
5-1/2"	48	.500"	6"
5-1/2"	64	.500"	8"
5-1/2"	80	.500"	10"
5-1/2"	96	.500"	12"
6"	32	.500"	4"
6"	48	.500"	6"
6"	64	.500"	8"
6"	80	.500"	10"
6"	96	.500"	12"
6-1/2"	32	.500"	4"
6-1/2"	48	.500"	6"
6-1/2"	64	.500"	8"
6-1/2"	80	.500"	10"
6-1/2"	96	.500"	12"
8"	32	.500"	4"
8"	48	.500"	6"
8"	64	.500"	8"
8"	80	.500"	10"
8"	96	.500"	12"