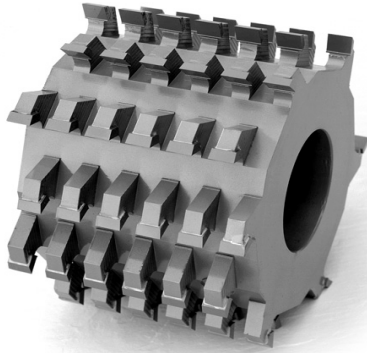


Whisper Quiet Moulder Heads



Choose your head based on required wings:

[WQI-4Wing](#) | [WQI-6Wing](#) | [WQII-4Wing](#) | [WQII-6Wing](#)

Technical Information

- Stagger tooth design on a one piece head
- Soft wood (20°) and hard wood (10°) hook angles
- Additional hook angles available upon request
- Available in either a 4 wing (4WQI and 4WQII) or 6 wing (6WQI or 6WQII) equivalent
- Additional wing counts available by quote only

Applications

- For running dimension stock in through feed or conventional moulders

Advantages

- CNC machined from solid steel for better accuracy
- Staggered tooth design provides deeper cuts and reduces air turbulence, noise and cutting pressures on the material
- Smooth finish on material (no lines)
- Less noise generated
- Individual teeth for lower maintenance cost

